

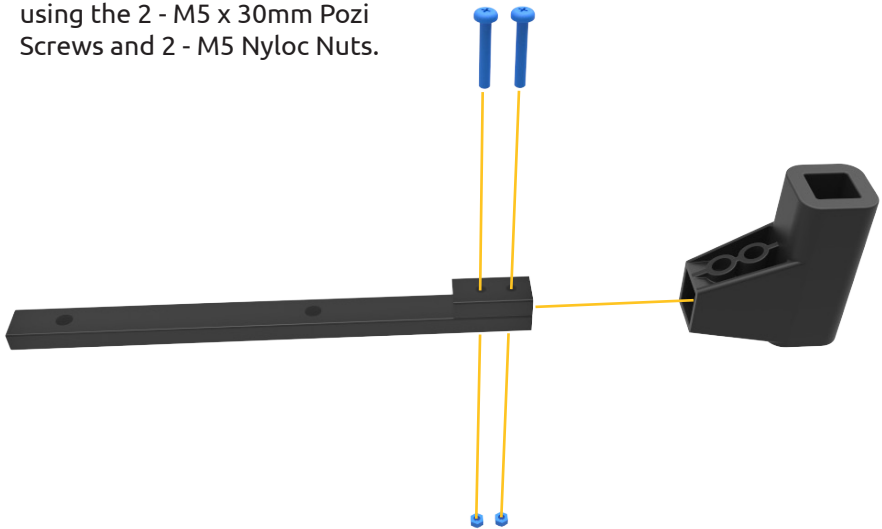


SAND BUCKET BRACKET FITTING **INSTRUCTIONS**

FX & CT RANGE

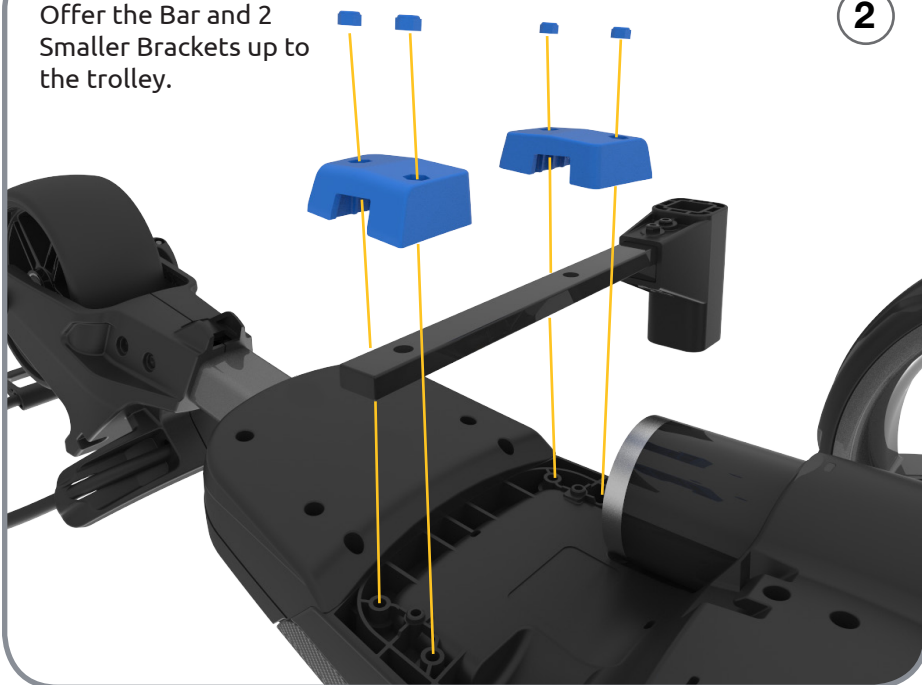
Slide the Large Bracket onto the end of the Metal bar and secure using the 2 - M5 x 30mm Pozi Screws and 2 - M5 Nyloc Nuts.

1



Offer the Bar and 2
Smaller Brackets up to
the trolley.

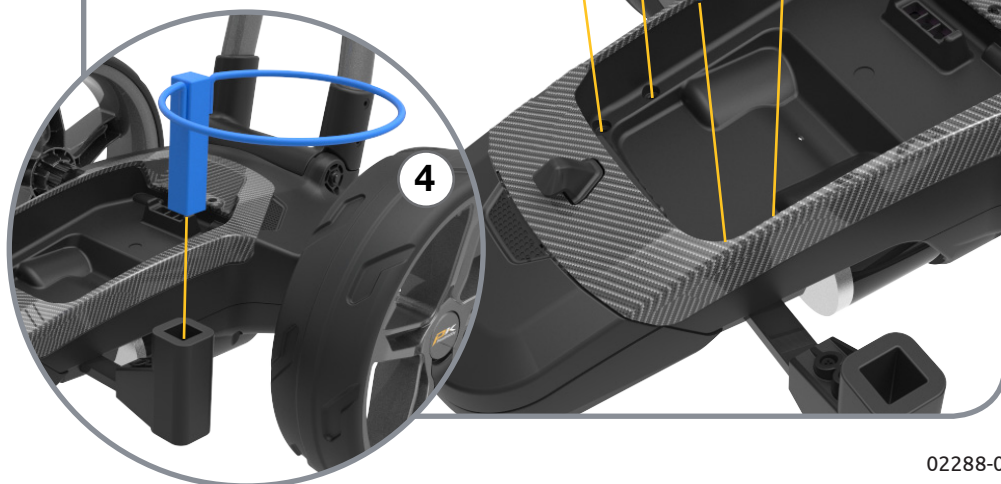
2



Secure the Bar to the trolley
using the 2 - M5 x 25mm Pozi
Screws and the 4 - M5 Nyloc
Nuts shown in image 2.

Slot the Bucket Hoop into the
Large Bracket.

3



4