



SEAT FITTING INSTRUCTIONS

FW RANGE

C2 RANGE

FX & CT RANGE



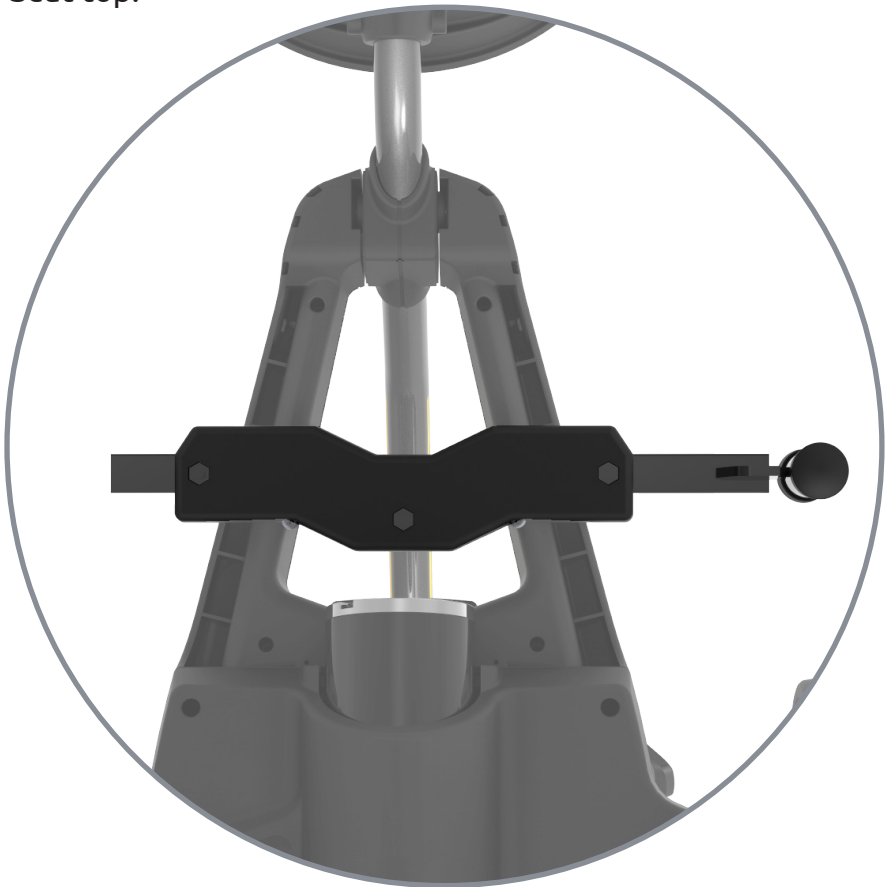
FW RANGE

- ① Orientate the FW Brackets A & B as shown below and attach using the fasteners shown right.

Note: The Support bar can be orientated for the seat to sit on the left or right depending on preference.

- Ⓐ FW UPPER BRACKET
- Ⓑ FW LOWER BRACKET
- Ⓒ M6 X 30mm HEX BOLT
- Ⓓ M6 NYLOC NUT
- Ⓔ SUPPORT BAR

- ② Slot the removable Seat Post and Seat top.





(A)

(C)

(D)

(B)

(E)

C2 RANGE

- ① Locate the Left and Right C2 Brackets on the support bar as shown below.

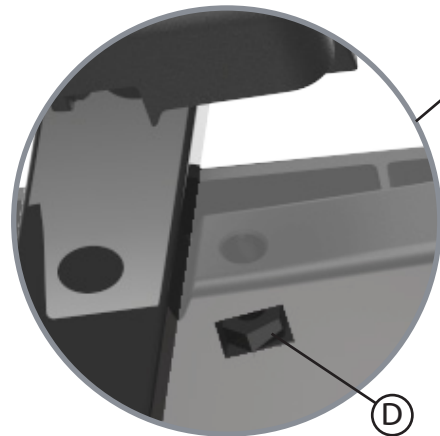
Note: The Support bar can be orientated for the seat to sit on the left or right depending on preference.

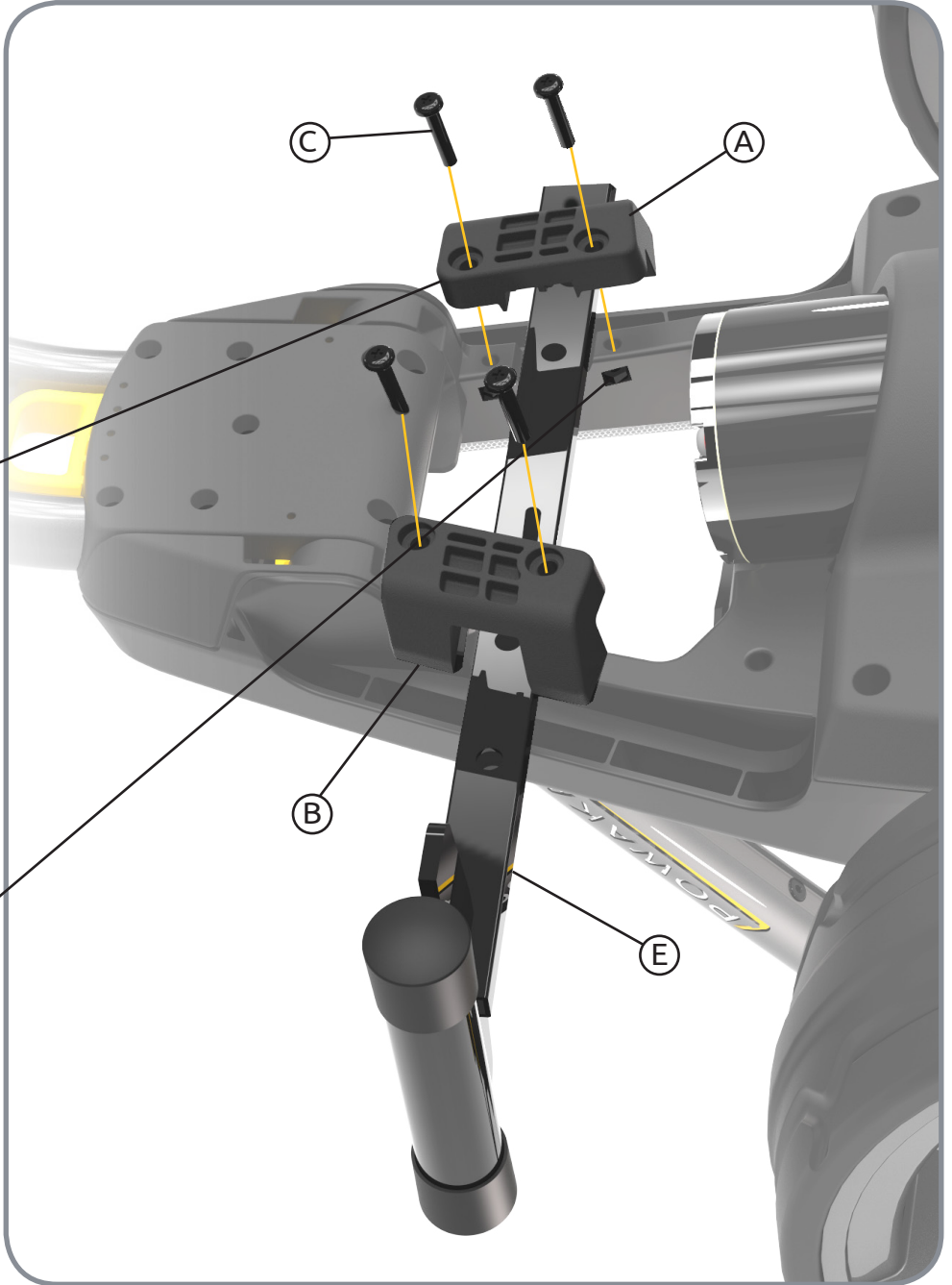
- ② Slide the M5 Nyloc nuts into the slots on the trolley as shown.
- ③ Secure the Support Bar and Brackets using the M5 Pozzi Screws.
- ④ Slot the removable Seat Post and Seat top.

- Ⓐ C2 LEFT-HAND BRACKET
- Ⓑ C2 RIGHT-HAND BRACKET
- Ⓒ M5 X 25mm POZI SCREWS
- Ⓓ M5 NYLOC NUT
- Ⓔ SUPPORT BAR



The bosses on each Bracket locate into the inner holes on the Support Bar.





FX & CT RANGE

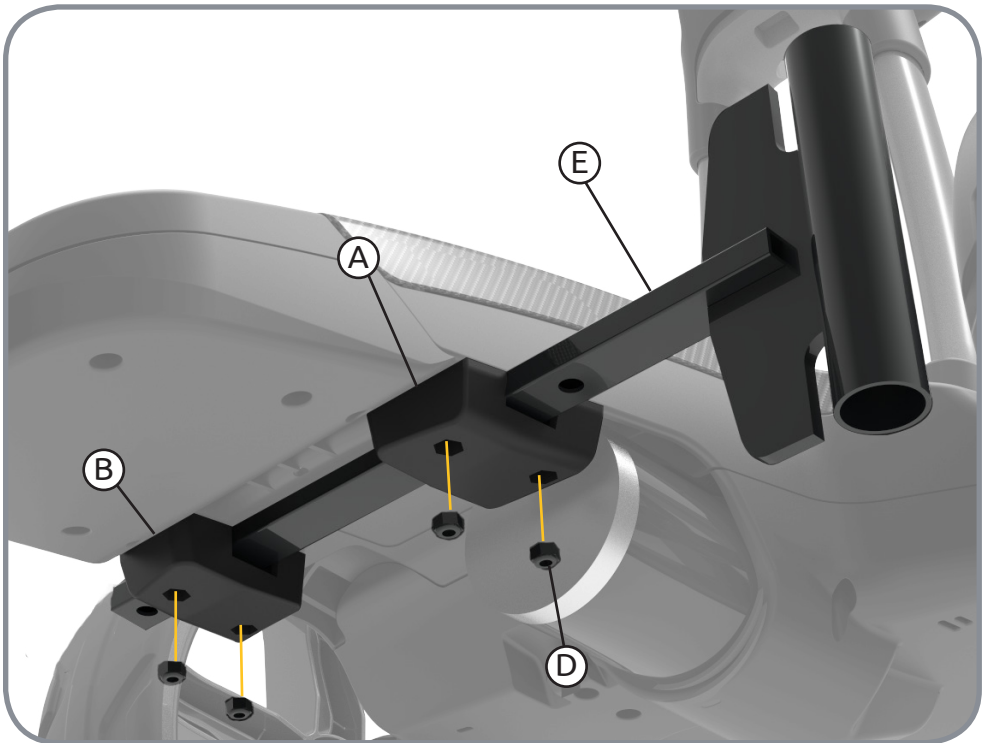
- ① Locate the Left and Right FX/CT Brackets on the support bar as shown on the opposite page.

Note: The Support bar can orientated for the seat to sit on the left or right depending on preference.

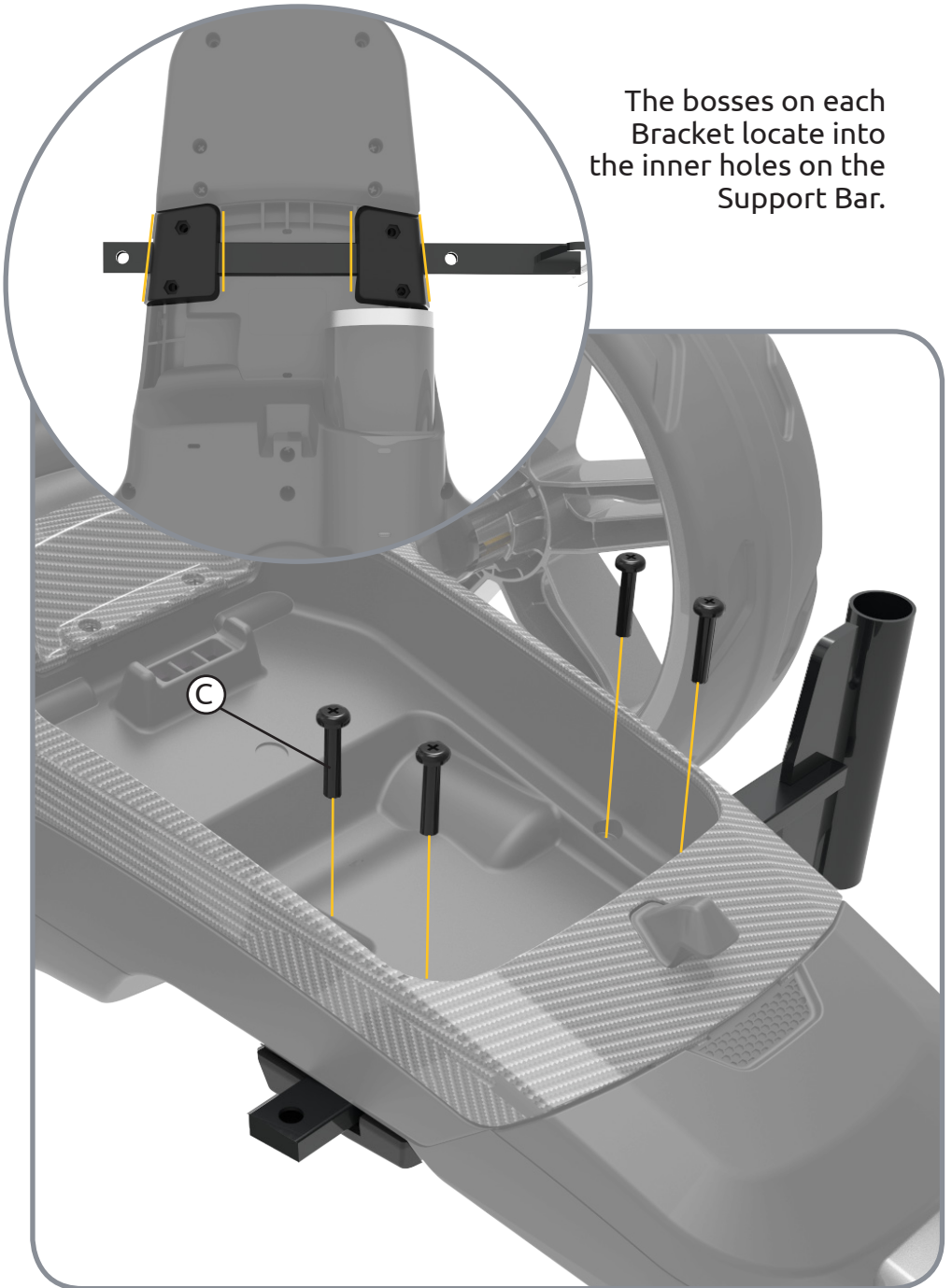
- Ⓐ FX/CT LEFT-HAND BRACKET
- Ⓑ FX/CT RIGHT-HAND BRACKET
- Ⓒ M5 X 25mm POZI SCREWS
- Ⓓ M5 NYLOC NUT
- Ⓔ SUPPORT BAR

- ② Offer up the Brackets and Support bar to the trolley and secure with the M5 Pozi Screws and Nyloc Nuts

- ③ Slot the removable Seat Post and Seat top.



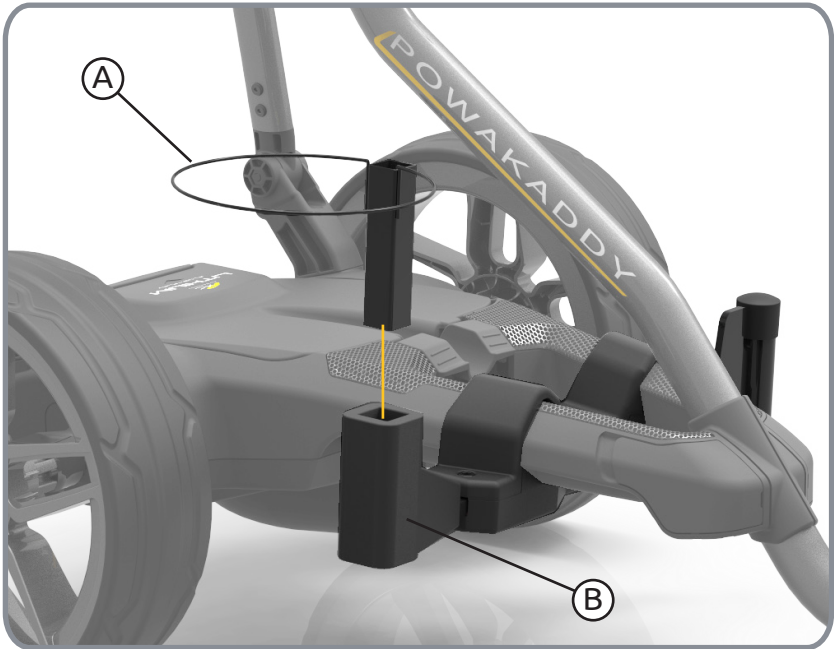
The bosses on each Bracket locate into the inner holes on the Support Bar.



SAND AND SEED KIT

The Sand and Seed Bucket Kit is an optional extra on the FW, C2 and FX & CT Range.

- ① Use the M5 Pozi Screws and Nyloc Nuts to attach the Bracket to the Support Bar.
 - ② Slot the Sand and Seed Hoop into bracket as shown.
- Ⓐ BUCKET HOOP
Ⓑ BRACKET



For More Game Changing Technology Visit
Powakaddy.com

01535-01-02