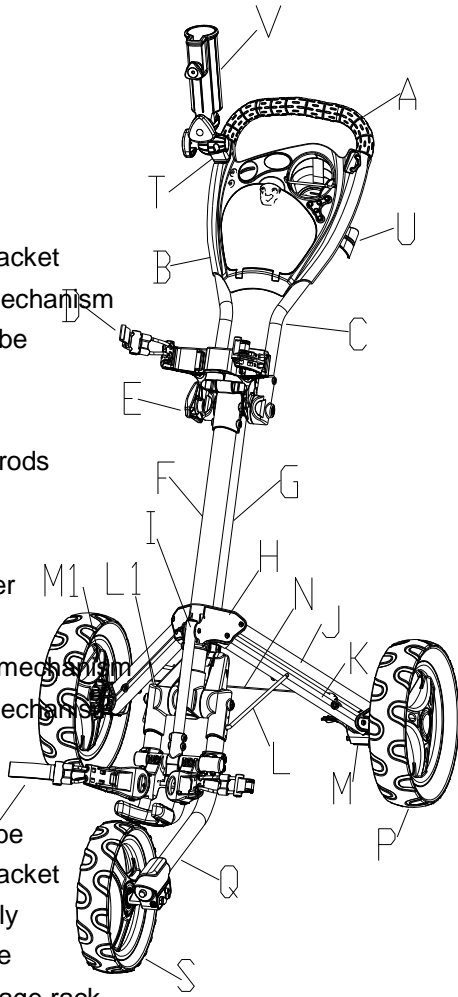


# PARTS LIST

- A Pvc grip
- B Scorecard holder
- C Handle tube
- D Upper bag holder bracket
- E Adjustable handle mechanism
- F Main upper frame tube
- G Connecting rods
- H Leg bracket
- I Slippery connecting rods
- J 2 holes leg frame
- K 4 holes leg frame
- L Right weight stabilizer
- L1 Left weight stabilizer
- M Right wheel locking mechanism
- M1 Left wheel locking mechanism
- N Anti-splay wire
- P Main wheel
- Q Main lower frame tube
- R Lower bag holder bracket
- S Front wheel assembly
- T Umbrella holder base
- U Umbrella holder storage rack
- V Umbrella holder



## MAINTENANCE

To clean to the cart, wipe with a soft, dry cloth. Car polish may be used to maintain finish. Lubricate moving parts every 6 months.

## Warning:

For your own safety, please read and understand these warnings and keep this user guide for future reference.

Always make sure the cart is fully extended and locked before use.

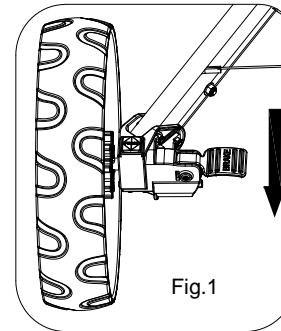
Always make sure the cart is folded and locked properly before lifting or transporting.

Do not run while using this product.

Do not use accessories other than those designed for use with this cart.

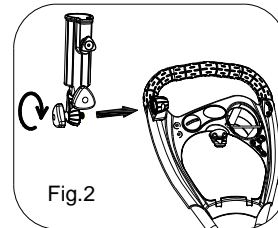
Keep all packing materials away from children and recycle where possible or where required by law.

## USE THE BRAKE

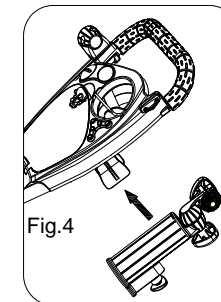
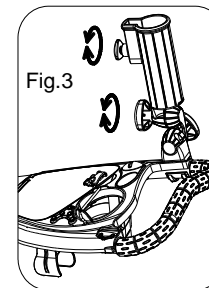


Push on the brake pedal to stop the rear wheel and pull off to release as in Fig.1

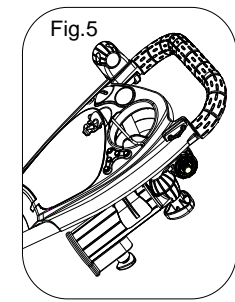
## UMBRELLA HOLDER



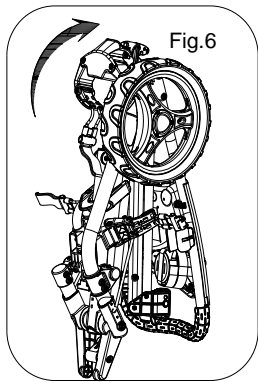
To put in use:  
Simply attach the umbrella holder onto the cart as in Fig. 2&3



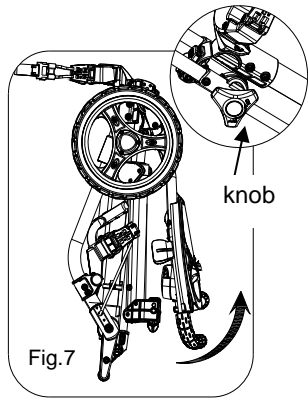
To store:  
Attach the umbrella holder to the storage rack on the handle as in Fig. 4&5



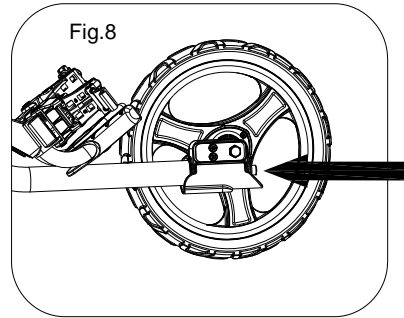
## UNFOLDING



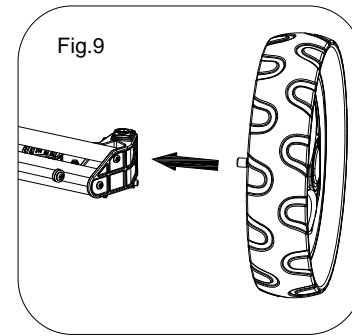
Lift the upper bag holder bracket as Fig.6



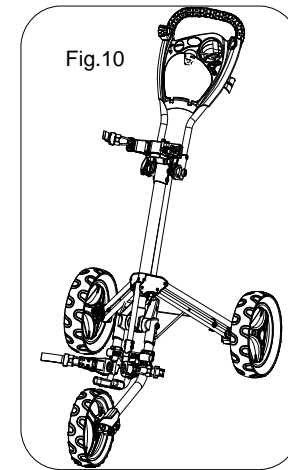
Make sure the handle height adjusting knob is fully tighten , then pull the handle and upper bag bracket as shown in Fig. 7 to extend the cart.



As shown in Fig 8, press the button and rotate the front wheel 180 degree clockwise so the front wheel is at center of the cart.

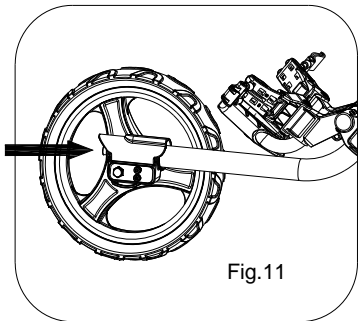


Release the wheel locking buckle, insert the wheel axel into the wheel holder completely and then tighten the locking buckle as Fig.9

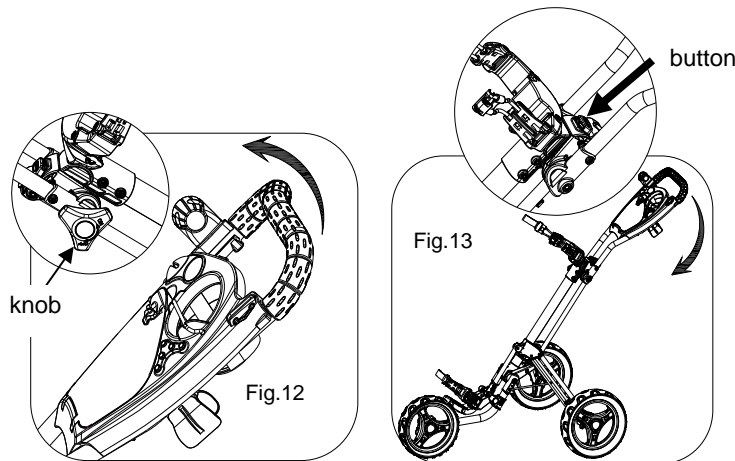


The cart is fully extended as shown in Fig. 10

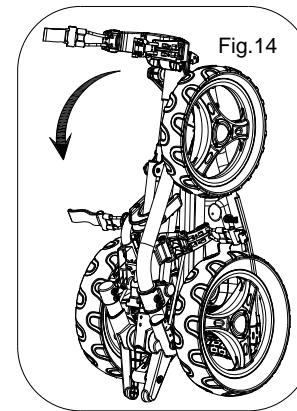
## FOLDING



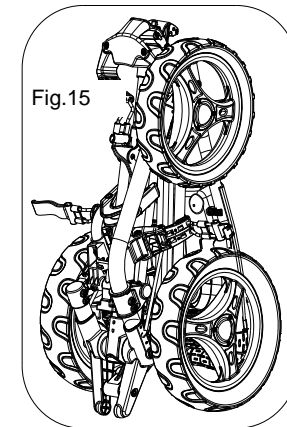
Press the button and rotate the front wheel 180 degree counterclockwise so the front wheel is on the left of the front wheel fork (when you look behind the cart) as Fig11.



Make sure the handle height adjusting knob is fully tighten , slightly lift up the handle as Fig. 12 ,and then press the folding button and push the handle downward as shown in Fig. 13 .

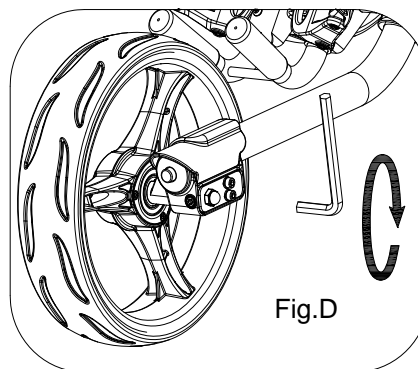
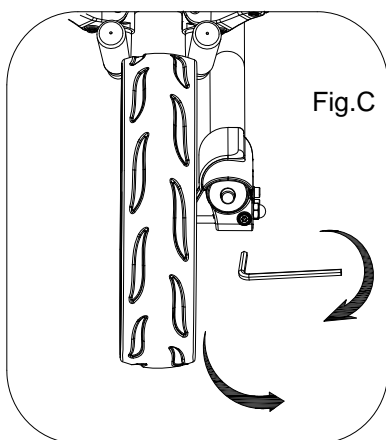
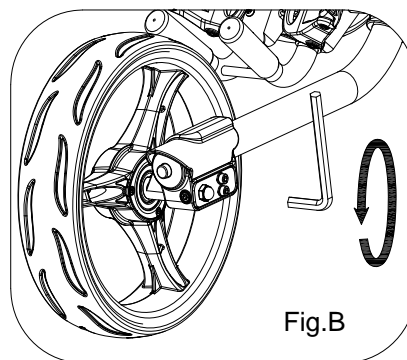
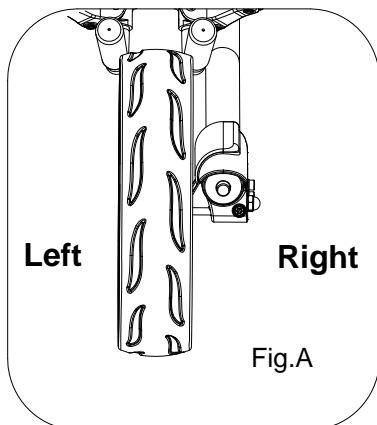


Fold down the upper bag holder bracket as Fig.14



The cart is fully folded as Fig.15.

# Front Wheel Adjustment



**If the cart veers to the right:**

**Step 1:** Face the front wheel of the cart and use the provided Allen wrench to loose the two side screws as in Fig.B.

**Step 2:** Then use the Allen wrench to adjust the front bolt clockwise until the front wheel is centered as in Fig.C. Then tighten the two side screws as in Fig.D.

**If the cart veers to the left:**

**Step1:** The same as above.

**Step 2:** Adjust the front bolt counterclockwise until the front wheel is centered as in Fig.C. Then tighten the two side screws as in Fig.D.