

# GPS INSTRUCTIONS

1 Assemble your Accessory with the correct bracket as shown below

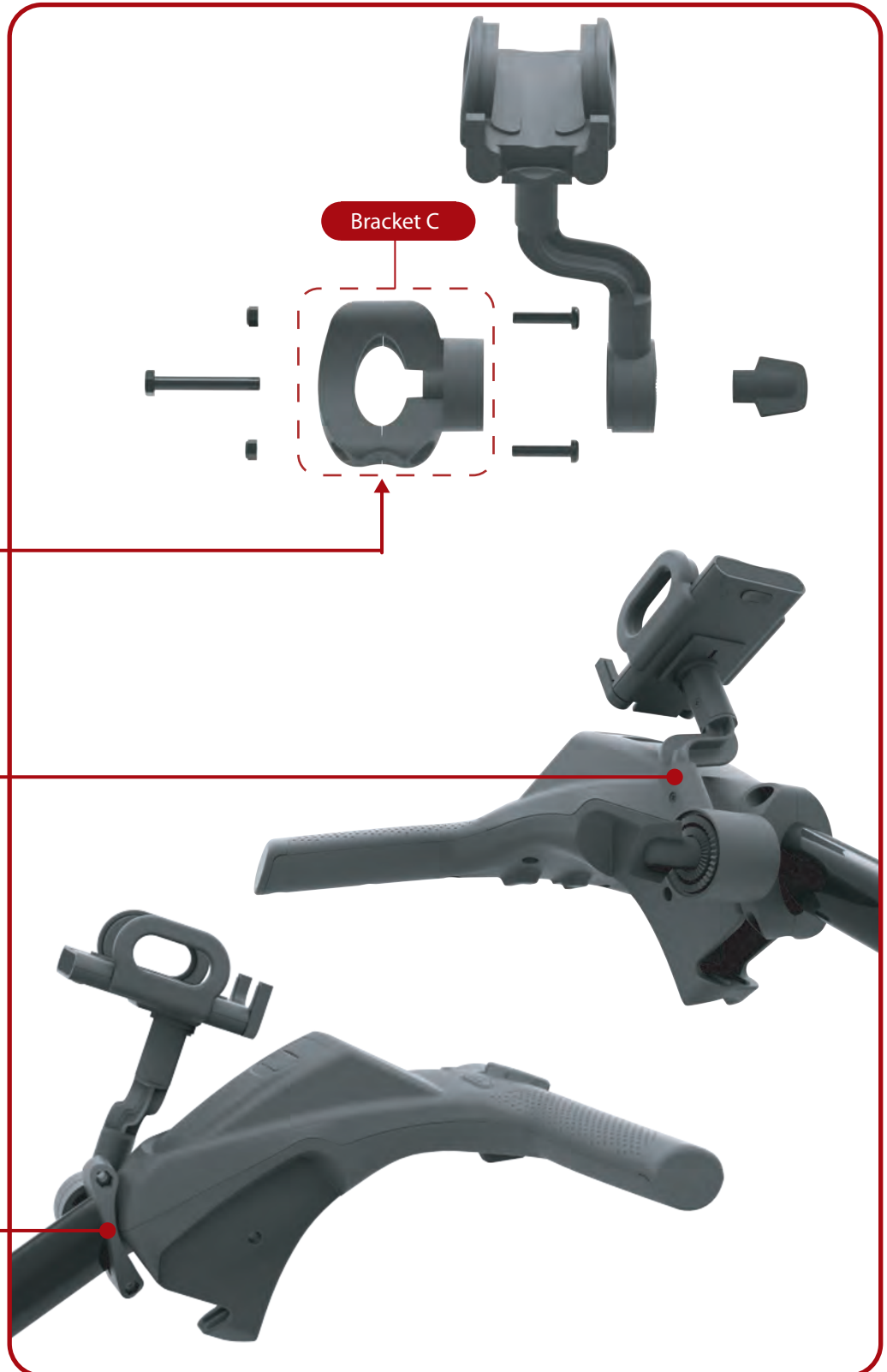
## Bracket C

- FW3 / FW5 / FW7 / FW7s
- TOUCH (2016 Onwards)
- SPORT
- FREEWAY II
- FREEWAY DIGITAL (2012 Onwards)
- FREEWAY (2013)
- FREEWAY DIGITAL +

Cutout must be underneath tube

To be assembled on this side of handle only

To be assembled as close to handle as possible.



# GPS INSTRUCTIONS

1 Assemble your Accessory with the correct bracket as shown below

## Bracket B

- FREEWAY (PRE 2013)
- FREEWAY DIGITAL (PRE 2009)
- CLASSIC LEGEND
- ROBOKADDY

